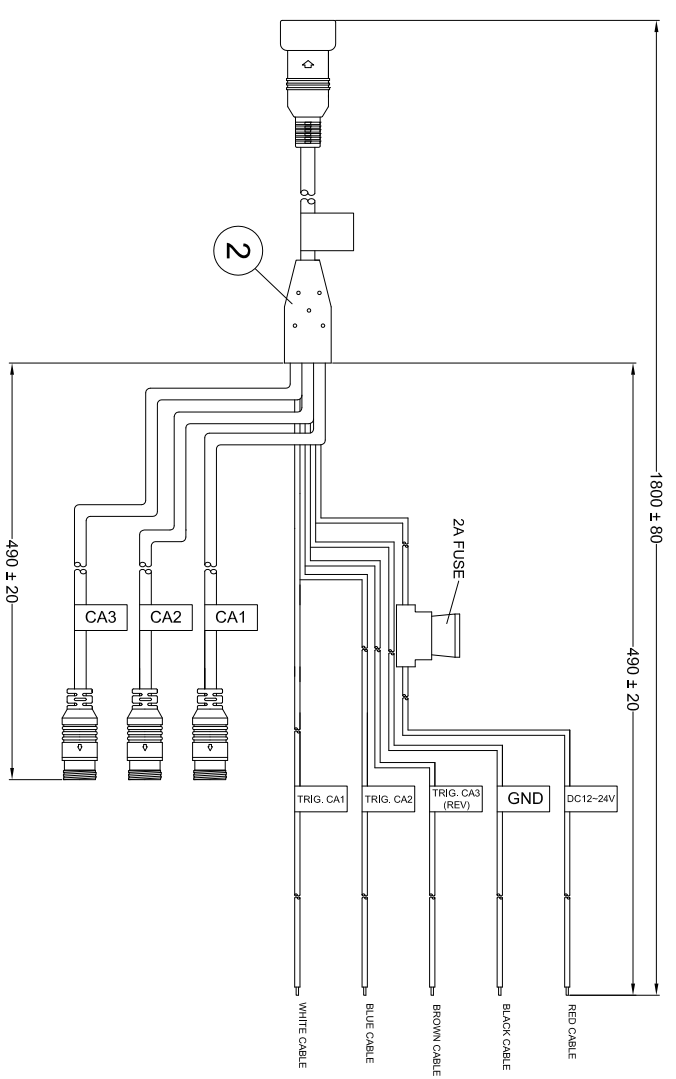
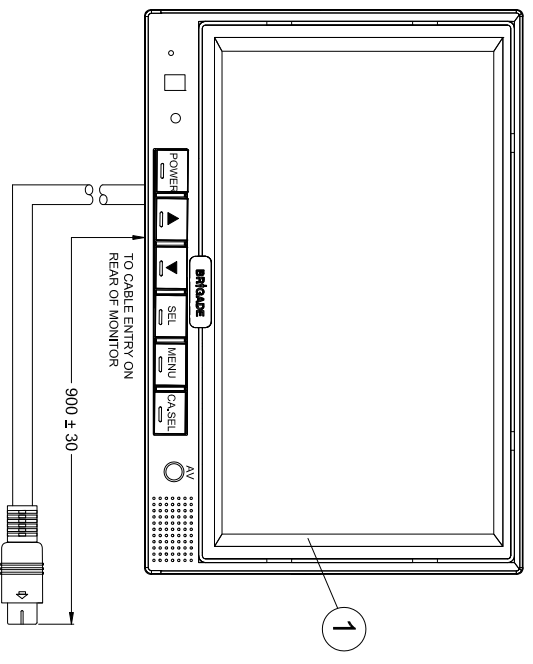


Revision Notes:			
1. BOX DETAIL ADDED TO BOM.	Checked By: JIN	Approved By: DK	Date Released: 21/12/11
2. COLOUR GIFTBOX DESCRIPTION AND STOCK CODE UPDATED.	Checked By: LB	Approved By: DK	Date Released: 23/03/2012
3. ALL REFERENCES TO PACKAGING REVIEWED.	Checked By: BC	Approved By: SM	Date Released: 29/10/2012

ITEM	PART NO.	QTY	MODEL/DESCRIPTION
1	(3354A)	1	VBV-770DM-4M MONITOR
2	(3662)	1	VBV-770DM-SCA CABLE ADAPTER
3	(3195A)	1	VBV-770DM-SS SUNSHIELD (NOT SHOWN)
4	(3148A)	1	BMM-015 VBV MONITOR BRACKET (SHORT) (NOT SHOWN)
5	(3985)	1	VBV-770DM-S-IG INSTALLATION GUIDE (NOT SHOWN)
6	(3199)	1	BMM-018 'U' BRACKET (NOT SHOWN)



- NOTES:**
1. REFER TO COMPONENT DRAWINGS FOR COMPONENT DETAIL.
 2. FOR GIFTBOX LABEL REFER TO LATEST REVISION OF DRAWING BE-001772-XX-11.
 3. FOR GIFTBOX SERIAL NUMBER LABEL REFER TO LATEST REVISION OF DRAWING BE-001323-XX-10.
 4. PURCHASE ORDER TO DEFINE PACKAGING VARIANT.
 5. REFER TO LATEST REVISION OF DRAWING BE-001861-XX-11 FOR PACKAGING DETAIL.

PROPRIETARY NOTICE
 THIS DESIGN AND TECHNICAL INFORMATION APPEARING ON THIS DRAWING IS THE PROPERTY OF BRIGADE ELECTRONICS, AND IS DISCLOSED IN CONFIDENCE. IT IS NOT TO BE COPIED, REPRODUCED, REVEALED TO OR EXPLOITED BY OTHERS, EITHER IN WHOLE OR IN PART WITHOUT THE EXPRESS WRITTEN CONSENT OF BRIGADE ELECTRONICS.

BRIGADE
 www.brigade-electronics.com

Assembly PI Approval		Approved by		Checked by		Drawn by	
XINYU HUANG(29/10/12)		DKERAI		MBUTLER		JNEWMAN	
Angle of Projection		Units	Scale	Released	Assembly Ref		
		mm	N/A	22/11/11	13101004/002		
Third Angle		Status	Released				
		Part No.	VBV-770DM-S				
			BE-001773-03-11				